

Plasterboard fixing DuoBlade

The self-drilling plasterboard plug for fast and easy installation



Smoke detectors



Mirrors

7

Applications

- Smoke detectors
- Mirrors
- Curtain rods
- Blinds
- Lamps
- Pictures

Advantages

- An innovative product of the fischer DuoLine with intelligent combinations for more power and more intelligence.
- The self-drilling fischer DUOBLADE allows fast and easy installation in gypsum plasterboard and gypsum fibreboard.
- The black metal tip guarantees simple and safe installation.
- High torque when anchor is installed for the feelgood-factor and an optimum feeling when setting.
- PZ 2 drive - same drive for plug and screw.

Certificates



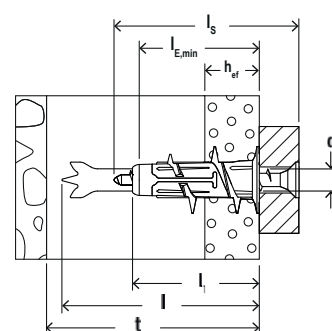
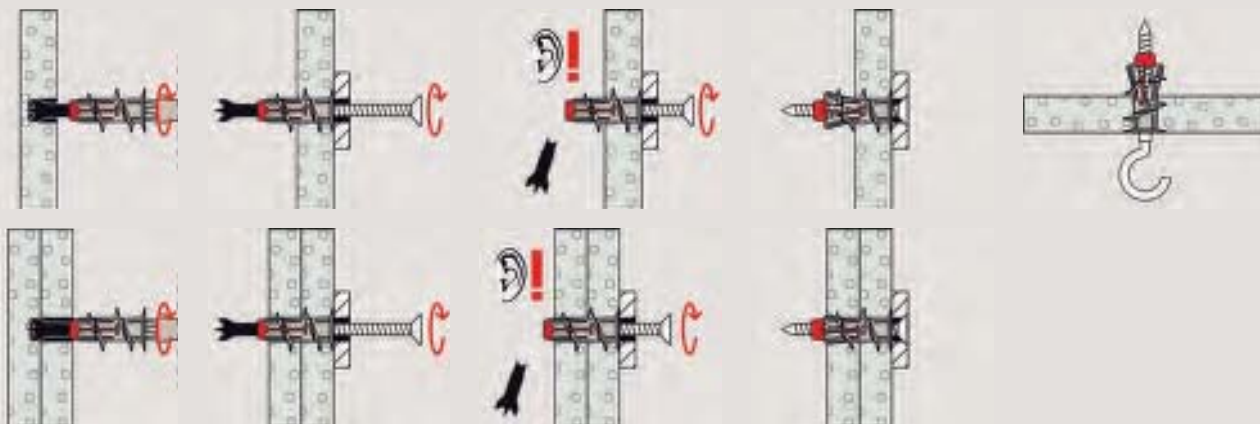
Building materials

- Gypsum plasterboard, single and double-planked
- Gypsum fibreboard
- Lightweight cement boards

Functioning

- The fischer DuoBlade is suitable for pre-positioned installation.
- The metal tip for better heat-resistant and cutting characteristics. Especially in double-layered plasterboard.
- The fischer DuoBlade can be used with wood, metal and chipboard screws of Ø4.0 to Ø5.0 mm.
- In gypsum fibreboard, pre-drilling with a drill Ø 8mm is recommended.

Installation DuoBlade



7

Technical data in board material

Plasterboard fixing DuoBlade



DuoBlade

Item	Item No.	Min. thickness to first supporting layer t [mm]	Anchor length l [mm]	Anchor length without drill tip l ₁ [mm]	Anchorage depth h _{ef} [mm]	Min. bolt penetration l _{E,min} [mm]	Wood and chipboard screws d _S / d _S x l _S [mm]	Drive	Sales unit [pcs]
DuoBlade	545675	50	44	29	9,5 - 25	28	4 - 5	PZ2	50
DuoBlade S	545676 ¹⁾	50	44	29	9,5 - 25	28	4,5 x 40	PZ2	25
DuoBlade K NV	545683	50	44	29	9,5 - 25	28	4 - 5	—	10
DuoBlade S K NV	545684 ¹⁾	50	44	29	9,5 - 25	28	4,0 x 46	PZ2	6
DuoBlade RH K NV	545686 ³⁾	50	44	29	9,5 - 25	28	4,5 x 40	—	6
DuoBlade WH K NV	545685 ²⁾	50	44	29	9,5 - 25	28	4,2 x 40	—	6

1) With chipboard screw countersunk head.

2) With screw with angle hook.

3) With screw with round hook.

Loads

Plasterboard fixing DuoBlade			
Recommended loads ¹⁾ for a single anchor.			
Type			DuoBlade
Chipboard screw diameter		[mm]	4.0 - 5.0
Recommended loads in the respective base material F_{rec} ²⁾			
Gypsum plasterboard	9.5 mm	[kN]	0.08
Gypsum plasterboard	12.5 mm	[kN]	0.10
Gypsum plasterboard (e.g. Knauf Diamant board or Rigips Die Harte)	12.5 mm	[kN]	0.18
Gypsum plasterboard	2 x 12.5 mm	[kN]	0.20
Lightweight cement board	12.5 mm	[kN]	0.08
Gypsum fibreboard	12.5 mm	[kN]	0.34

¹⁾ Required safety factors are considered. The given loads are valid for chipboard screws with the specified diameters.

²⁾ Valid for tensile load, shear load and oblique load under any angle.