

Spring-toggle KD, KDH, KM

The cavity fixing for different board thicknesses and large usage lengths



Ceiling lamps



Wash basins

7

Applications

- Pictures
- Lighting
- Light shelves
- Towel rails
- Mirror cabinets
- Light cabinets
- Wash basins and urinals (KM 10)
- Cable and pipe clips

Advantages

- Universal fixing for fastenings in a wide range of drywall and hollow wall materials.
- When the metal crosspiece is pushed through the drill hole, pull it firmly against the inner wall cavity by tugging the plastic pull ring on the outer wall.
- Afterwards cut the plastic legs off and fasten the fixture with e.g. a screw or screw in a hook or an eyebolt according to your demands.
- Suitable for pre-positioned installation.

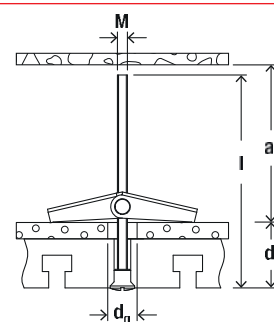
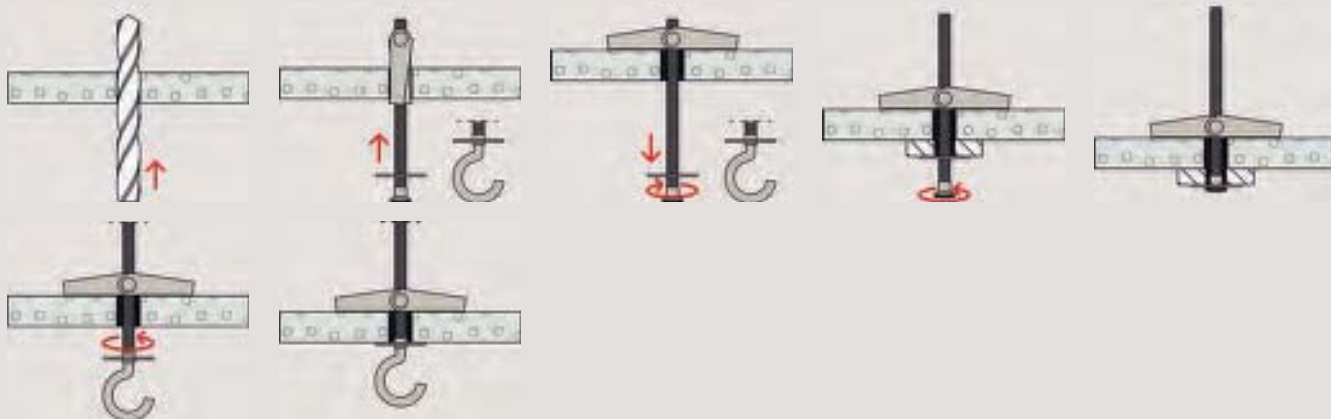
Building materials

- Gypsum plasterboard and gypsum fibreboards
- Cavity floor slabs made from bricks and concrete
- Chipboard
- Plywood boards

Functioning

- The gravity and spring toggle are suitable for pre-positioned installation.
- When placed in the drill hole, the bearing elements of the gravity and spring toggles independently swing open behind the board.
- The KM 10 is specially suited to fixing wash basins and urinals into installation and cavity walls.
- No special installation tool required. For a fast and convenient installation.

Installation K, KD



7

Technical data

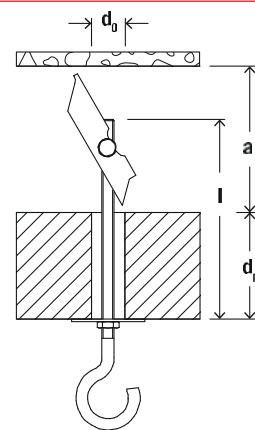
Spring toggle KD 3+4, KDH 3+4



KD 3 + 4

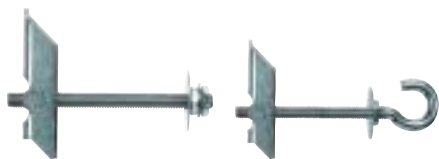
KDH 3 + 4

Item	Item No.	Drill hole diameter d_0 [mm]	Max. panel thickness d_p [mm]	Min. cavity depth a [mm]	Anchor length l [mm]	Thread $\emptyset \times$ length [mm]	Sales unit [pcs]
KD 3	080181	12	65	27	95	M 3 x 90	50
KDH 3	080182	12	51	27	105	M 3 x 80	25
KD 3 B	080192	12	65	27	95	M 3 x 90	10
KD 4	080183	14	69	34	105	M 4 x 100	25
KDH 4	080184	14	35	34	95	M 4 x 70	25
KD 4 B	080193	14	69	34	105	M 4 x 100	10



Technical data

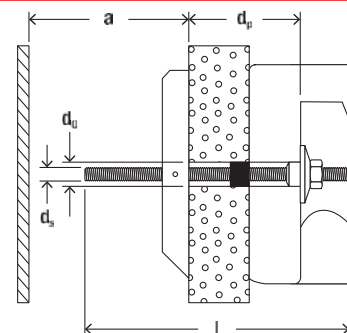
Gravity toggle KD 5+6+8, KDH 5+6+8



KD 5 + 6 + 8

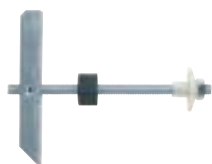
KDH 5 + 6 + 8

Item	Item No.	Drill hole diameter d_0 [mm]	Max. panel thickness d_p [mm]	Min. cavity depth a [mm]	Anchor length l [mm]	Thread $\emptyset \times$ length [mm]	Sales unit [pcs]
KD 5	080187	16	63	70	100	M 5 x 100	25
KD 6	080185	16	63	70	100	M 6 x 100	25
KD 8	080178	20	55	75	100	M 8 x 100	20
KDH 5	080188	16	60	70	130	M 5 x 90	20
KDH 6	080186	16	60	70	130	M 6 x 100	20
KDH 8	080179	20	55	75	130	M 8 x 100	20



Technical data

Gravity toggle KM 10



KM 10

Item	Item No.	Drill hole diameter d_0 [mm]	Max. panel thickness d_p [mm]	Min. cavity depth a [mm]	Anchor length l [mm]	Screw $d_s \times l_s$ [mm]	Sales unit [pcs]
KM 10	050326	30	90	140	180	M 10 x 180	25

Loads

Toggle fixing KD

Recommended loads¹⁾ for a single anchor.

Type		KD 3	KD 4	KD 5	KD 6	KD 8
Thread size		M 3	M 4	M 5	M 6	M 8
Recommended loads in the respective base material $F_{rec}^{2)}$						
Gypsum plasterboard	12.5 mm	[kN] 0.15	0.15	0.15	0.15	0.18
OSB board	≥ 15 mm	[kN] 0.34	0.58	0.85	0.85	0.89

¹⁾ Required safety factors are considered.

²⁾ Valid for axial tensile load.

³⁾ Bending of the hook is decisive. Only for tension load.

Loads

Toggle fixing KDH

Recommended loads¹⁾ for a single anchor.

Type		KDH 3	KDH 4	KDH 5	KDH 6	KDH 8
Thread size		M 3	M 4	M 5	M 6	M 8
Recommended loads in the respective base material $F_{rec}^{2)}$						
Gypsum plasterboard	12.5 mm	[kN] 0.07 ³⁾	0.13 ³⁾	0.15	0.15	0.18
OSB board	≥ 15 mm	[kN] 0.07 ³⁾	0.13 ³⁾	0.30 ³⁾	0.45 ³⁾	0.89

¹⁾ Required safety factors are considered.

²⁾ Valid for axial tensile load.

³⁾ Bending of the hook is decisive. Only for tension load.

Loads

Toggle fixing KM 10 and K 54

Mean ultimate loads.

Type		KM 10	K 54
Screw diameter		M 10	4 mm
Mean ultimate loads $F_u^{1)2)3)}$	[kN]	13.0	0.8

¹⁾ Upon these failure loads an appropriate safety factor has to be considered.

²⁾ Valid for tensile load, shear load and oblique load under any angle.

³⁾ If the failure of the base material is not possible.