

# Universal plug UX

The nylon plug for all building materials



Mirror fixings



Pictures

6

## Applications

- Pictures
- Lighting
- Skirting
- Light cabinets
- Towel rails
- Mirror cabinets
- Curtain rails
- Wash basin fixings
- TV consoles
- Plumbing and heating fixings

## Advantages

- The universal operating principle (knotting or expanding) allows for use in all solid, hollow and board building materials. Thus the UX is the correct choice for unknown base materials.
- The UX's angled connection ridges allow for optimum screw guidance. Serrated

anti-rotation locks prevent rotation in the drill hole. This guarantees the greatest possible installation safety.

- Fixing sets with screws, eye screws and hooks provide the right solution for all applications.

## Certificates



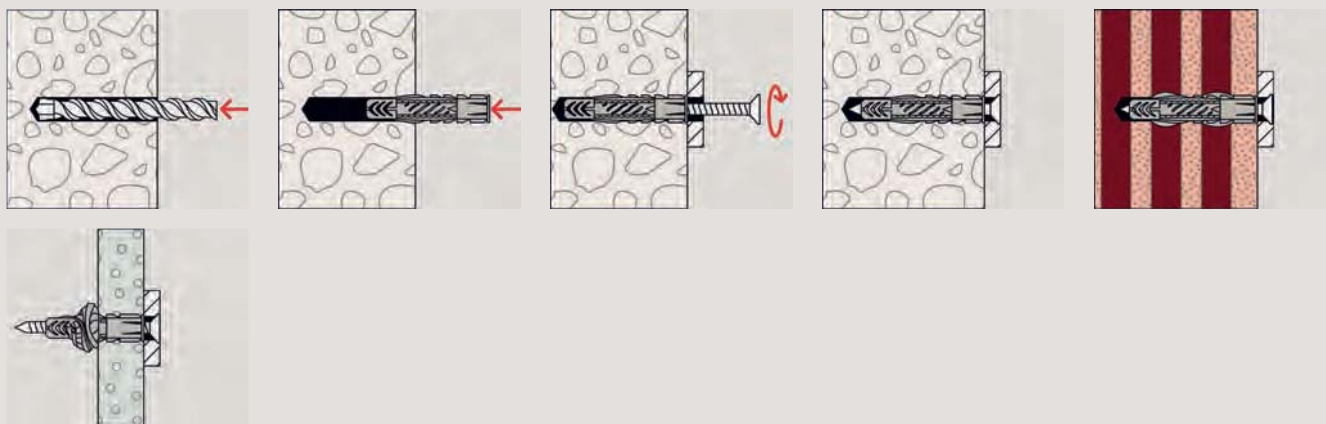
## Building materials

- Concrete
- Gypsum plasterboard and gypsum fibreboards
- Vertically perforated brick
- Hollow blocks made from lightweight concrete
- Cavity floor slabs made from bricks and concrete
- Perforated sand-lime brick
- Solid sand-lime brick
- Natural stone
- Aerated concrete
- Chipboard
- Solid panel made from gypsum
- Solid brick made from lightweight concrete
- Solid brick

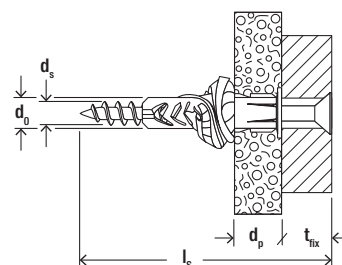
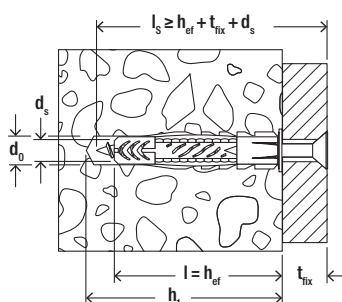
## Functioning

- The UX with rim is suitable for pre-positioned installation; the UX without rim is suitable for push-through installation.
- Turning in the screw causes the UX to expand in the solid building material and to knot within the cavity.
- The required screw length is given by the plug length + fixture thickness + 1 x screw diameter.
- Suitable for wood and chipboard screws, as well as stud screws.
- In the case of board building materials, the threadless part of the screw must not be longer than the fixture, and the UX with rim is to be used.
- The edge distance must be at least one plug length.

## Installation UX



6



## Technical data

### Universal plug UX



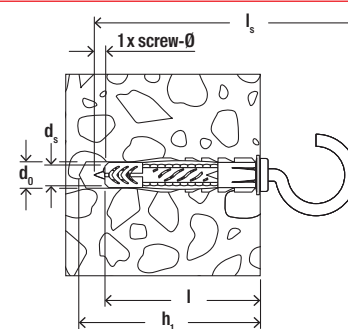
UX - without rim

UX - with rim

UX R S - with rim and screw

Item	Without rim	With rim	With rim and screw	Drill hole diameter	Min. drill hole depth	Min. panel thickness	Anchor length	Wood and chipboard screws	Max. fixture thickness	Sales unit
	Item No.	Item No.	Item No.	$d_0$ [mm]	$h_1$ [mm]	$d_p$ [mm]	$l$ [mm]	$d_s / d_s \times l_s$ [mm]	$t_{fix}$ [mm]	[pcs]
UX 5 x 30	094721	094722	—	5	40	9,5	30	3 - 4	—	100
UX 6 x 35	062754	062756	—	6	45	9,5	35	4 - 5	—	100
UX 6 x 35	—	—	094758	6	50	9,5	35	4,5 x 45	20	25
UX 6 x 50	072094	072095	—	6	60	9,5	50	4 - 5	—	100
UX 6 x 50	—	—	094759	6	65	9,5	50	4,5 x 60	5	25
UX 8 x 40	—	505483	—	8	50	9,5	40	4,5 - 6	—	100
UX 8 x 50	077869	077870	—	8	60	9,5	50	4,5 - 6	—	100
UX 8 x 50	—	—	094760	8	70	9,5	50	5 x 65	10	25
UX 10 x 60	077871	077872	—	10	75	12,5	60	6 - 8	—	50
UX 10 x 60	094761	<sup>1)</sup> —	—	10	90	12,5	60	6 x 85	20	10
UX 12 x 70	062758	—	—	12	85	—	70	8 - 10	—	25
UX 14 x 75	062757	—	—	14	95	—	75	10 - 12	—	20

1) with screw



## Technical data

### Universal plug UX with hook



UX RH - with rim and round hook

UX RH N - with rim and round hook (white coated)

UX WH - with rim and angle hook

UX WH N - with rim and angle hook (white coated)

UX OH N - with rim and eyebolt (white coated)

Item	With rim and round hook	With round hook (white coated)	With rim and angle hook	With angle hook (white coated)	With eye-bolt (white coated)	Drill hole diameter	Min. drill hole depth	Min. panel thickness	Anchor length	Screw dimension	Sales unit
	Item No.	Item No.	Item No.	Item No.	Item No.	$d_0$ [mm]	$h_1$ [mm]	$d_p$ [mm]	$l$ [mm]	$d_s \times l_s$ [Ø mm]	[pcs]
UX 6 x 35	094407	—	—	—	—	6	45	9,5	35	4,5 x 67	25
UX 6 x 35	—	—	094408	—	—	6	45	9,5	35	4,5 x 51	25
UX 8 x 50	094409	094412	—	—	094414	8	60	9,5	50	5,5 x 87	25
UX 8 x 50	—	—	094410	094413	—	8	60	9,5	50	5,5 x 70	25

## Technical data

### Universal plug UX in bucket



UX in bucket

Item	Item No.	Drill hole diameter	Min. drill hole depth	Anchor length	Min. panel thickness	Wood and chipboard screws	Sales unit
		$d_0$ [mm]	$h_1$ [mm]	$l$ [mm]	$d_p$ [mm]	$d_s / d_s \times l_s$ [mm]	[pcs]
UX 6 x 35 R in bucket	508027	6	45	40	9,5	4 - 5	2500
UX 8 x 50 R in bucket	508028	8	60	50	9,5	4,5 - 6	1000
UX 10 x 60 R in bucket	508029	10	75	60	12,5	6 - 8	600

## Technical data

### Assortment boxes



Assortment box UX / SX

Box UX / SX-S

Item	Item No.	Contents	Sales unit [pcs]
Box UX 6/8/10	093182	100 plugs UX 6 x 35, 70 plugs UX 8 x 50, 20 plugs UX 10 x 60	1
Assortment box UX / SX	040991	60 plugs SX 6 x 30, 50 plugs SX 8 x 40, 20 plugs SX 10 x 50, 60 plugs UX 5 x 30 R, 40 plugs UX 6 x 50 R, 50 plugs UX 8 x 50 R, 10 plugs UX 10 x 60 R	1
Box UX / SX-S	093181	50 plugs UX 6 x 35, 50 screws 4,5 x 45, 50 plugs SX 6 x 30, 50 screws 4,5 x 40, 25 plugs UX 8 x 50, 25 screws 5 x 65, 25 plugs SX 8 x 40, 25 screws 5 x 55	1
Meister-Box UX + screws + hooks	513894	German version: 50 Universal plugs UX 6 x 35 R, 25 Universal plugs UX 8 x 50 R, 20 Chipboard screws 4,5 x 45, 15 Chipboard screws 5 x 65, 4 Angle hooks 5,5, x 70, 4 Round hooks 5,5 x 70	1
Meister-Box UX / UX-R	513893	German version: 25 Universal plugs UX 6 x 35, 25 Universal plugs UX 6 x 35 R, 25 Universal plugs UX 8 x 50, 25 Universal plugs UX 8 x 50 R, 10 Universal plugs UX 10 x 60	1
Profi-Box UX / UX-R	518527	International version: 25 Universal plugs UX 6 x 35, 25 Universal plugs UX 6 x 35 R, 25 Universal plugs UX 8 x 50, 25 Universal plugs UX 8 x 50 R, 10 Universal plugs UX 10 x 60	1
Profi-Box UX + screws + hooks	518526	International version: 50 Universal plugs UX 6 x 35 R, 25 Universal plugs UX 8 x 50 R, 20 Chipboard screws 4,5 x 45, 15 Chipboard screws 5 x 65, 4 Angle hooks 5,5, x 70, 4 Round hooks 5,5 x 70	1

6

## Loads

### Universal plug UX

Highest recommended loads<sup>1)</sup> for a single anchor.  
The given loads are valid for wood screws with the specified diameter.

Type		UX 5 x 30	UX 6 x 35	UX 6 x 50	UX 8 x 40 UX 8 x 50	UX 10 x 60	UX 12 x 70	UX 14 x 75	
Wood screw diameter	[mm]	4	5	5	6	8	10	12	
<b>Recommended loads in the respective base material <math>F_{rec}</math><sup>2)</sup></b>									
Concrete	≥ C20/25	[kN]	0.30	0.40	0.60	0.60	1.00	1.50	1.80
Solid brick	≥ Mz 12	[kN]	0.20	0.20	0.30	0.30	0.50	0.70	0.80
Perforated sand-lime brick	≥ KSL 12	[kN]	0.30	0.40	0.40	0.50	0.60	0.80	0.80
Vertically perforated brick	≥ Hlz 12	[kN]	0.20	0.20	0.20	0.20	0.20	0.30	0.40
Aerated concrete	≥ AAC 4 (G4)	[kN]	0.15	0.20	0.20	0.30	0.40	0.60	0.70
Gypsum plasterboard	12.5 mm	[kN]	0.10	0.10	0.10	0.10	0.10	-	-
Gypsum plasterboard	25 mm	[kN]	0.10	0.15	0.15	0.15	0.15	-	-
Gypsum fibreboard	(Fermacell)	[kN]	0.20	0.20	0.20	0.20	0.25	-	-
Gypsum block	$\rho \geq 0.9 \text{ kg/dm}^3$	[kN]	-	-	-	0.15	0.35	0.45	0.50

<sup>1)</sup> Required safety factors are considered.

<sup>2)</sup> Valid for tensile load, shear load and oblique load under any angle.

## Loads

### Universal plug UX with hook screws respective eye screws

Highest recommended loads<sup>1)</sup> for a single anchor.  
The given loads are valid for the included hook screws respective eye screws.

Type		UX 6 x 35 RH	UX 6 x 35 WH	UX 8 x 50 RH	UX 8 x 50 WH	UX 8 x 50 OE	
<b>Recommended loads in the respective base material <math>F_{rec}</math><sup>2)</sup></b>							
Concrete	≥ C20/25	[kN]	0.25	0.30	0.40	0.45	0.40
Vertically perforated brick	≥ Hlz 12	[kN]	0.20	0.20	0.20	0.20	0.20
Gypsum plasterboard	12.5 mm	[kN]	0.05	0.05	0.05	0.05	0.05

<sup>1)</sup> Required safety factors are considered.