

# Universal plug UX Green

The nylon plug for all building materials

2



Mirror fixings



Pictures

## Applications

- Pictures
- Lighting
- Skirting
- Light cabinets
- Towel rails
- Mirror cabinets
- Curtain rails
- Wash basin fixings
- TV consoles
- Plumbing and heating fixings

## Advantages

- Produced with at least 50% renewable raw materials and therefore particularly environmentally friendly.
- Just as effective, secure and durable as regular UX plugs.
- The universal operating principle (knotting or expanding) allows for use in all solid,

hollow and board building materials. Thus the UX Green is the correct choice for unknown base materials.

- Plug collar for anti-slip safety and saw tooth sides as turning lock ensure the highest installation safety.

## Certificates



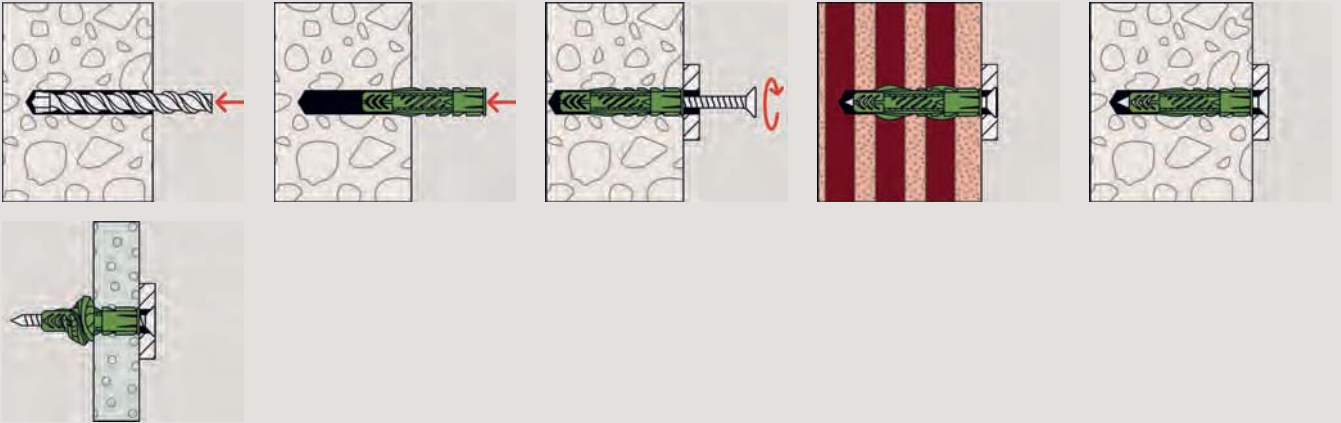
## Building materials

- Concrete
- Gypsum plasterboard and gypsum fibreboards
- Vertically perforated brick
- Hollow blocks made from lightweight concrete
- Cavity floor slabs made from bricks and concrete
- Perforated sand-lime brick
- Solid sand-lime brick
- Natural stone
- Aerated concrete
- Chipboard
- Solid panel made from gypsum
- Solid brick made from lightweight concrete
- Solid brick

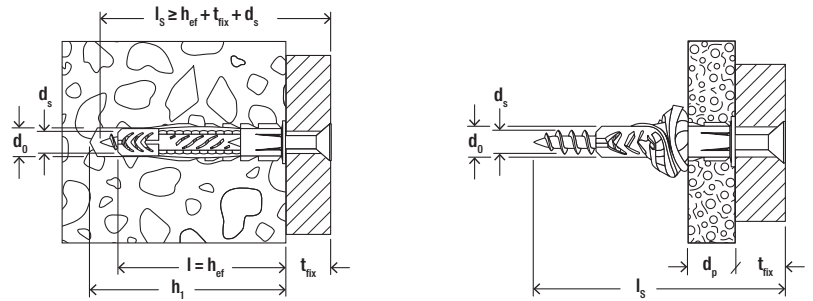
## Functioning

- The Universal plug UX with rim is suitable for pre-positioned installation; the UX without rim is suitable for push-through installation.
- When screwing in the screw, the UX GREEN expands in solid building materials and knots itself into cavities.
- Suitable for wood and chipboard screws, as well as stud screws.
- The required screw length is given by: the plug length + fixture thickness + 1 x screw diameter.
- In the case of board building materials, the threadless part of the screw must not be longer than the fixture.
- The edge distance must be at least one plug length.

### Installation UX Green



2



### Technical data

#### Universal plug UX Green



with rim

without rim

Item	With rim	Without rim	Drill hole diameter $d_0$ [mm]	Min. drill hole depth $h_1$ [mm]	Min. panel thickness $d_p$ [mm]	Anchor length $l$ [mm]	Wood and chip-board screws $d_s / d_s \times l_s$ [mm]	Sales unit [pcs]
	Item No. UX R	Item No. UX						
UX Green 6 x 35	518885	—	6	45	9,5	35	4 - 5	40
UX Green 6 x 50	524855	—	6	60	9,5	50	4 - 5	40
UX Green 8 x 50	518886	—	8	60	9,5	50	4,5 - 6	40
UX Green 10 x 60	518887	—	10	75	12,5	60	6 - 8	20
UX Green 12 x 70	—	524858	12	85	—	70	8 - 10	18

## Loads

### Universal plug UX Green

Highest recommended loads<sup>1)</sup> for a single anchor.

The given loads are valid for wood screws with the specified diameter.

Type		UX Green 6 x 35	UX Green 6 x 50	UX Green 8 x 50	UX Green 10 x 60	UX Green 12 x 70	
Screw diameter	[mm]	5	5	6	8	10	
Recommended loads in the respective base material $F_{rec}$ <sup>2)</sup>							
Concrete	≥ C20/25	[kN]	0.40	0.60	0.60	1.00	1.50
Solid brick	≥ Mz 12	[kN]	0.20	0.30	0.30	0.50	0.70
Perforated sand-lime brick	≥ KSL 12	[kN]	0.40	0.40	0.50	0.60	0.80
Vertically perforated brick	≥ Hlz 12	[kN]	0.20	0.20	0.20	0.20	0.30
Aerated concrete	≥ AAC 4 (G4)	[kN]	0.20	0.20	0.30	0.40	0.60
Gypsum plasterboard	12.5 mm	[kN]	0.10	0.10	0.10	0.10	-
Gypsum plasterboard	25 mm	[kN]	0.15	0.15	0.15	0.15	-
Gypsum fibreboard	(Fermacell)	[kN]	0.20	0.20	0.20	0.25	-
Gypsum block	$\rho \geq 0.9 \text{ kg/dm}^3$	[kN]	-	-	0.15	0.35	0.45

<sup>1)</sup> Required safety factors are considered.

<sup>2)</sup> Valid for tensile load, shear load and oblique load under any angle.